

# American Series

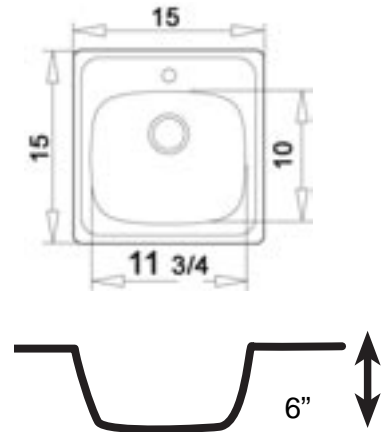
## Bar Sink Package



### SPECIFICATION SHEET



Model # 156-113PKG



### FEATURES:

- Clips - Stainless steel swivel clips for ease of installation
- Large sound deadening pad for superior noise reduction
- High-lustre finish
- One piece - single draw construction. Eliminating bowl and rail weld marks
- Bar Sink Package - Includes quality faucet and strainer
- Rolled edges and formed rails adding rigidity to outside perimeter
- Steel composition - Type 304 steel 18-10 chrome/nickel content
- 3 1/2" drain opening
- Limited lifetime warranty
- Available in 1 or 2 hole

| MODEL#         | FINISH   | OVERALL DIMENSION                     | BOWL DIMENSIONS<br>LENGTH WIDTH | SINK DEPTH | CUTOUT DIMENSION  | GAUGE |
|----------------|----------|---------------------------------------|---------------------------------|------------|-------------------|-------|
| 156-113<br>PKG | Polished | 15" x 15"<br><i>w/ Fct. &amp; Str</i> | 11 3/4" x 10" sm                | 6"         | 14 1/4" x 14 1/4" | 24    |

TEKA USA • 4920 West Cypress Street, Suite 106 • Tampa, Florida 33607 USA

Toll Free 800-419-9344 • Phone: 813-288-8820 Fax: 813-288-8604

[www.tekausa.com](http://www.tekausa.com)