

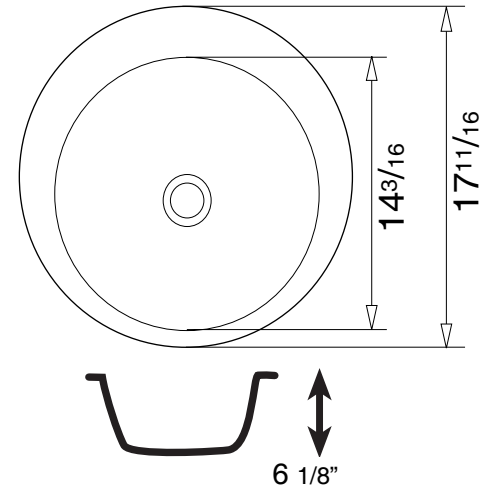
Euro Series Vanity Sink



SPECIFICATION SHEET - LVR 36 E1



Model # 130-005



FEATURES:

- Can be undermounted
- No overflow
- Mirror finish
- Superior construction.
- Steel composition - Type 304 steel
18-10 chrome/nickel content
- 2" drain opening
- Limited lifetime warranty

MODEL#	FINISH	OVERALL DIMENSION	BOWL DIMENSIONS LENGTH WIDTH	SINK DEPTH	CUTOUT DIMENSION	GAUGE
130-005	Mirror	17 11/16"	14 3/16"	6 1/8"	Instructions included	19

TEKA USA • 4920 West Cypress Street, Suite 106 • Tampa, Florida 33607 USA

Toll Free 800-419-9344 • Phone: 813-288-8820 Fax: 813-288-8604

www.tekausa.com